

Scaled data based on original data using
LM-79-08 Approved Method: Electrical and Photometric Measurements of Solid-State
Lighting Products

Test Report Prepared for
Cooper Lighting Solutions
(formerly Eaton)

Brand: STREETWORKS

Report Number: P571703

Luminaire Tested: **UFLD-S-CA1-30-727-U-66-TS2LW_NFFLD**

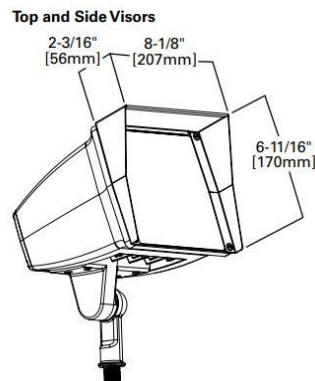
Issue Date: 9/21/2021

Test Information

Test Method: LM-79-08
Report Number: P571703
TEST IS SCALED FROM IESNA LM-79-08 TEST DATA (G2-2109-378-6)
Test Lab: COOPER LIGHTING SOLUTIONS
Issue Date: 9/21/2021
Manufacturer: COOPER LIGHTING SOLUTIONS (FORMERLY EATON)
Product Line: STREETWORKS
Catalog Number: UFLD-S-CA1-30-727-U-66-TS2LW_NFFLD
Description: FLOOD LIGHT SMALL, 6x6 OPTIC WITH TOP AND SIDE VISOR
Light Source: (1) 2700K CCT, 70 CRI LEDS
Ballast/Driver: -

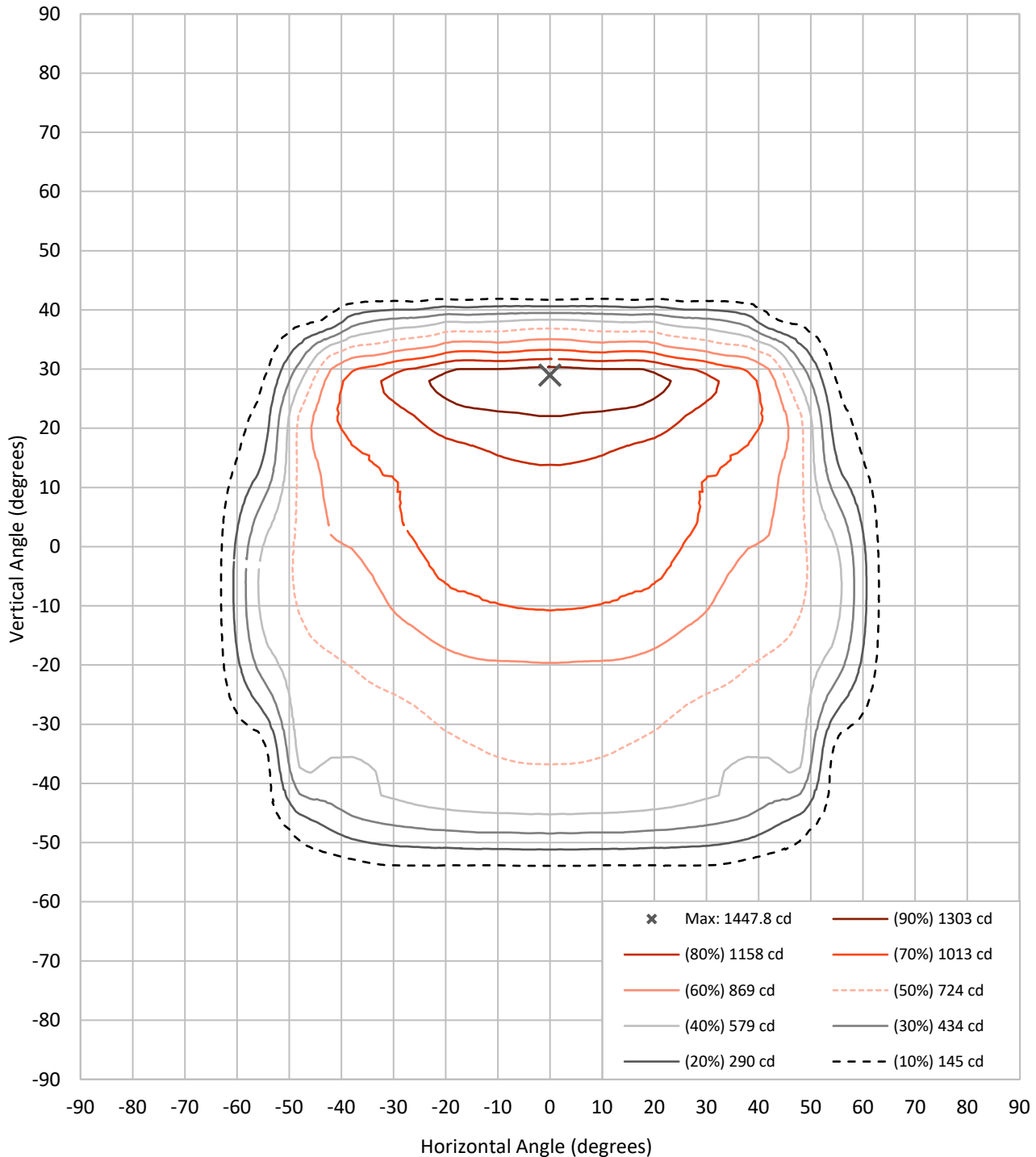
Summary

Lumens per Lamp:	N/A	NEMA Type:	6H x 5V
Luminaire Lumens:	2257 lumens	Max Intensity:	1447.8 candela
Efficiency:	N/A	Max Intensity Angle:	0°H x 29°V
Efficacy:	116.3 lumens/watt		
Luminous Opening:	Rectangular (W 0.67' x L: 0.5' x H: 0')		
Beam Angle (50%):	90.2°H x 73.7°V	Field Angle (10%):	108.6°H x 95.6°V
Beam Lumens:	1630.9 lumens	Field Lumens:	2196 lumens
Beam Efficiency:	72.3%	Field Efficiency:	97.3%
Input Watts (W):	19.4		
Input Voltage (V):	120		
Input Current (Ain):	NR		
Voltage Rise (V):	NR		
Power Factor:	NR		
Total Harmonic Distortion (THDi):	NR		
Frequency (hertz):	60		
Stabilization Time:	NR		
Operation Time:	NR		
Ambient Temperature (°C):	NR		
Test Distance:	25 FT		



REPORT NUMBER: P571703
CATALOG NUMBER: UFLD-S-CA1-30-727-U-66-TS2LW_NFFLD

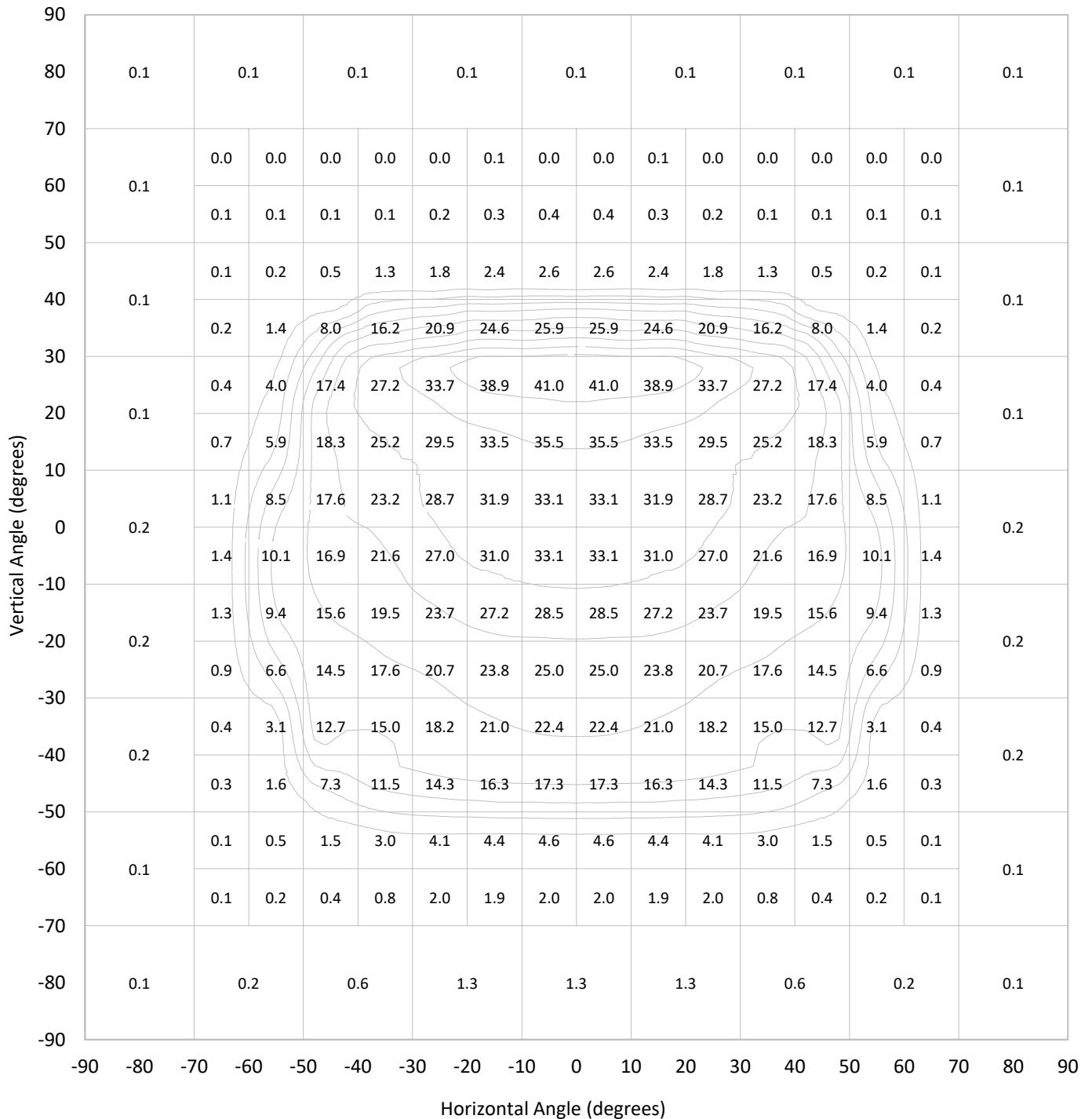
Iso-Candela Plot





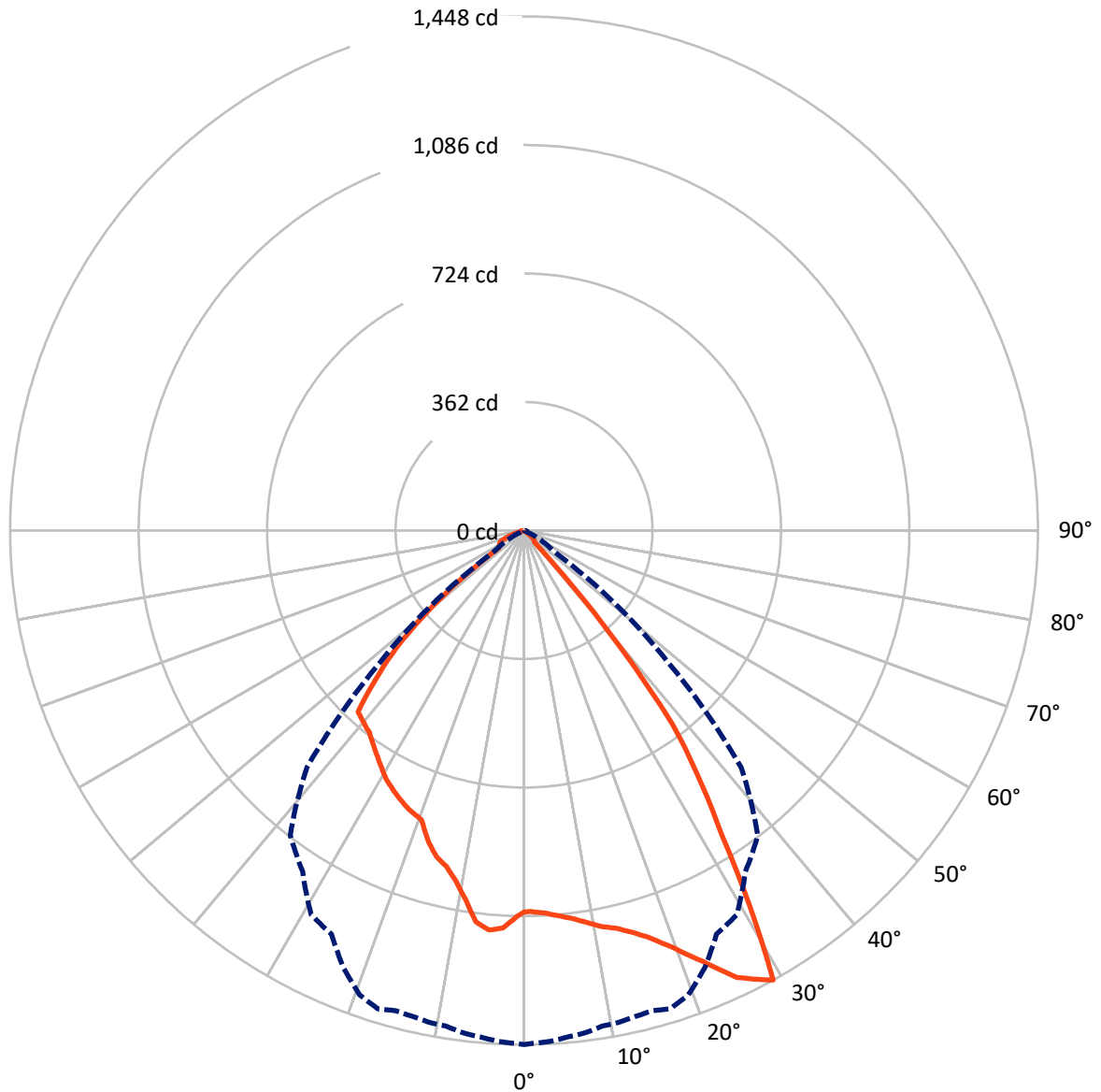
REPORT NUMBER: P571703
 CATALOG NUMBER: UFLD-S-CA1-30-727-U-66-TS2LW_NFFLD

Lumen Table



REPORT NUMBER: P571703
CATALOG NUMBER: UFLD-S-CA1-30-727-U-66-TS2LW_NFFLD

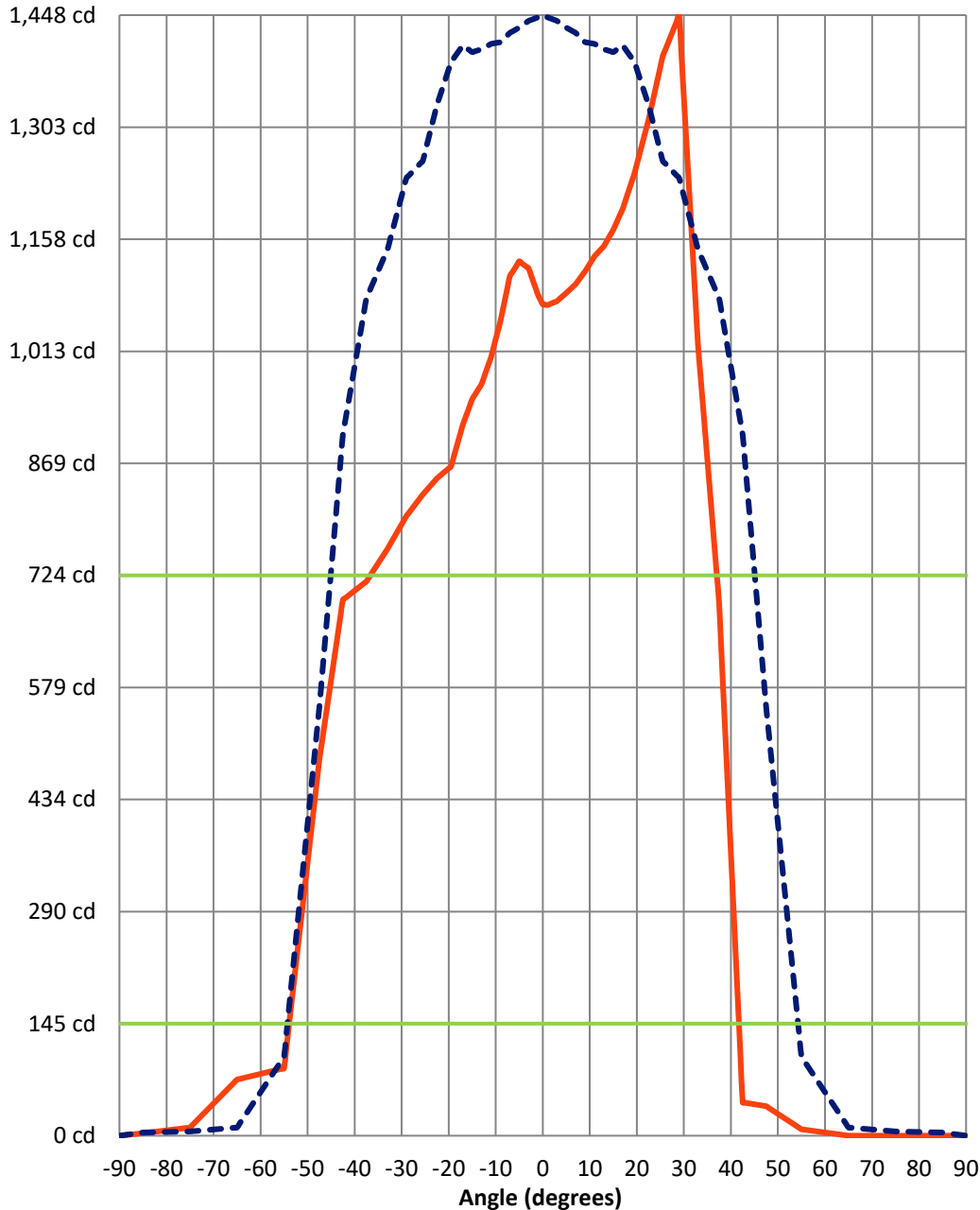
Luminous Intensity Polar Plot



— Vertical Distribution Through 0-Deg - - - Horizontal Distribution Through 29-Deg

REPORT NUMBER: P571703
 CATALOG NUMBER: UFLD-S-CA1-30-727-U-66-TS2LW_NFFLD

Luminous Intensity Plot



Beam:
 H Angle: 90.2°
 V Angle: 73.7°
 Lumens: 1630.9
 Efficiency: 72.3%

Field:
 H Angle: 108.6°
 V Angle: 95.6°
 Lumens: 2196
 Efficiency: 97.3%

Spill:
 Lumens: 61
 Efficiency: 2.7%

- Vertical Distribution through 0-Deg
- - - Horizontal Distribution through 29-Deg



REPORT NUMBER: P571703
 CATALOG NUMBER: UFLD-S-CA1-30-727-U-66-TS2LW_NFFLD

FIELD
 BEAM

CANDELA DISTRIBUTION:

	0°	1°	3°	5°	7°	9°	11°	13°	15°	17°	19.5°
90°	0.0	0.0	0.0	0.0	0.0	0.0	0.0	0.0	0.0	0.0	0.0
85°	0.0	0.5	1.4	1.4	1.4	1.4	1.8	1.8	1.8	1.8	1.8
75°	0.0	0.5	0.5	0.9	1.4	1.4	1.4	1.4	1.4	1.4	0.9
65°	0.0	0.0	0.5	0.5	0.9	0.9	0.9	0.9	0.9	0.9	0.9
55°	8.3	8.3	8.3	8.3	8.3	8.3	8.7	8.3	7.8	7.8	7.8
47.5°	38.1	38.1	38.1	36.3	34.9	34.4	33.5	31.7	30.8	31.7	30.8
42.5°	43.1	44.1	50.5	60.1	68.4	74.8	74.8	68.9	54.2	45.0	72.5
37.5°	687.2	681.2	689.9	672.5	661.0	644.0	639.0	632.1	625.6	633.0	642.6
33°	1022.2	1011.2	1022.7	998.8	991.0	975.0	984.1	1003.9	1008.5	1011.2	990.1
29°	1447.8	1445.0	1440.4	1431.7	1424.8	1412.9	1410.6	1403.7	1400.0	1408.7	1387.2
25.5°	1394.5	1395.9	1389.9	1384.0	1376.6	1378.9	1372.9	1367.0	1360.5	1347.2	1320.6
22.5°	1312.8	1316.0	1310.1	1301.3	1295.8	1294.4	1288.5	1281.6	1275.6	1271.0	1253.1
19.5°	1243.5	1244.9	1242.6	1238.0	1233.9	1228.8	1219.6	1209.5	1200.3	1198.1	1189.8
17°	1197.6	1199.0	1197.1	1193.5	1189.3	1182.0	1173.3	1161.8	1152.6	1145.3	1132.9
15°	1170.5	1171.4	1170.1	1166.4	1161.3	1155.8	1148.9	1139.8	1129.7	1118.6	1103.5
13°	1149.4	1150.3	1148.9	1144.8	1140.2	1134.7	1128.7	1120.9	1112.2	1102.6	1089.7
11°	1136.1	1136.5	1134.2	1131.0	1126.0	1120.5	1114.1	1105.3	1098.9	1093.4	1086.1
9°	1116.8	1117.3	1116.3	1113.6	1111.3	1105.8	1100.7	1093.9	1088.8	1087.0	1084.7
7°	1100.3	1100.7	1100.7	1097.5	1095.2	1091.6	1087.4	1081.9	1079.2	1080.5	1082.8
5°	1088.8	1089.7	1089.3	1086.5	1084.7	1082.4	1080.1	1076.4	1073.2	1078.2	1084.7
3°	1078.2	1078.2	1079.2	1077.8	1077.3	1077.8	1078.2	1076.9	1076.0	1082.8	1091.6
1°	1073.2	1073.2	1075.0	1075.5	1076.9	1079.6	1085.1	1088.8	1089.7	1087.4	1118.2
0°	1074.1	1074.1	1076.9	1080.5	1084.7	1090.6	1095.2	1097.5	1095.2	1087.0	1174.6
-1°	1086.1	1084.7	1086.5	1092.9	1097.5	1103.0	1104.4	1102.6	1096.1	1084.2	1099.4
-3°	1120.5	1121.4	1120.9	1121.9	1121.9	1120.5	1113.1	1099.8	1085.6	1069.5	1056.7
-5°	1129.7	1132.4	1129.7	1126.4	1123.7	1111.8	1098.0	1078.7	1053.0	1037.9	1025.0
-7°	1110.4	1106.2	1104.0	1097.1	1087.9	1069.5	1052.1	1032.3	1018.1	1014.0	1010.8
-9°	1052.5	1049.3	1048.0	1044.7	1038.8	1025.9	1018.6	1010.8	1005.7	1005.7	1002.0
-11°	1005.7	1003.9	1003.0	999.8	998.8	992.9	992.0	989.2	985.1	985.1	978.6
-13°	971.3	971.3	971.3	969.9	966.7	964.4	964.0	961.7	956.6	954.8	945.1
-15°	951.6	952.0	950.2	948.3	944.2	941.5	938.7	935.0	928.6	923.6	911.2
-17°	918.5	916.2	918.0	914.4	914.4	911.6	910.7	908.9	902.4	895.1	879.9
-19.5°	864.8	865.3	864.3	861.6	860.2	859.8	859.3	856.5	849.7	841.8	829.9
-22.5°	849.2	848.7	847.4	845.5	844.1	842.8	843.2	841.8	835.4	827.6	815.7
-25.5°	828.5	828.1	826.7	824.4	821.7	818.9	819.8	818.0	812.9	806.5	796.4
-29°	800.5	799.2	797.8	795.9	791.4	784.5	779.4	775.3	769.8	764.7	753.3
-33°	758.3	757.8	757.8	756.0	751.9	746.4	740.4	734.4	726.6	718.8	705.5
-37.5°	716.1	716.1	716.1	715.2	713.3	710.6	707.4	701.8	694.0	684.9	672.5
-42.5°	692.2	691.7	692.2	689.9	687.2	683.5	680.7	675.7	669.7	665.1	657.8
-47.5°	485.6	478.3	482.4	483.4	474.6	476.9	476.0	476.5	473.3	464.5	456.7
-55°	87.2	87.2	88.1	89.5	88.6	86.3	83.5	83.5	86.8	88.1	86.3
-65°	72.5	72.5	72.5	72.1	72.1	71.6	71.6	71.6	71.6	71.6	73.9
-75°	10.6	10.1	10.6	10.6	9.6	10.1	11.5	11.5	11.5	11.5	11.5
-85°	3.2	3.2	3.2	4.6	5.0	5.5	5.5	6.0	6.0	5.5	5.5
-90°	0.0	0.0	0.0	0.0	0.0	0.0	0.0	0.0	0.0	0.0	0.0



REPORT NUMBER: P571703

CATALOG NUMBER: UFLD-S-CA1-30-727-U-66-TS2LW_NFFLD

CANDELA DISTRIBUTION (continued):

	22.5°	25.5°	29°	33°	37.5°	42.5°	47.5°	55°	65°	75°	85°
90°	0.0	0.0	0.0	0.0	0.0	0.0	0.0	0.0	0.0	0.0	0.0
85°	1.8	1.8	1.8	1.4	1.4	1.8	1.8	2.3	3.2	3.7	3.7
75°	0.9	0.9	0.9	0.9	1.4	1.8	1.8	2.3	3.2	3.7	4.1
65°	0.9	0.9	0.9	0.9	0.9	1.4	1.8	2.8	3.2	3.7	4.1
55°	6.9	5.0	3.7	4.1	5.0	3.7	2.8	3.2	3.7	4.1	4.1
47.5°	24.8	15.1	9.6	8.7	9.6	7.3	6.0	6.0	7.8	4.1	4.1
42.5°	70.2	26.6	48.7	53.2	45.9	14.7	20.7	16.1	9.2	4.6	4.1
37.5°	587.1	558.6	543.5	502.6	430.6	179.9	131.7	22.0	9.6	4.6	4.1
33°	924.0	900.6	871.2	812.0	804.7	683.5	372.7	45.4	9.6	5.0	4.1
29°	1331.6	1259.6	1237.1	1145.3	1081.9	905.7	553.6	101.9	10.6	5.5	4.1
25.5°	1283.9	1239.8	1190.7	1140.7	1087.9	956.6	678.0	148.3	11.9	5.5	4.1
22.5°	1214.6	1170.5	1128.7	1092.0	1061.7	989.2	775.8	184.1	13.8	5.5	4.1
19.5°	1159.0	1120.5	1082.4	1047.0	1032.8	991.5	808.3	212.5	16.5	5.5	4.1
17°	1104.9	1074.6	1047.0	1022.7	1017.7	963.5	803.8	237.3	21.1	6.0	4.1
15°	1075.0	1045.7	1025.9	1016.3	1006.2	928.6	797.8	261.6	23.9	6.0	4.1
13°	1059.4	1029.6	1015.8	1019.0	986.9	904.7	789.5	300.2	26.6	6.0	4.1
11°	1057.6	1024.5	1015.4	1005.7	964.0	896.5	783.6	347.0	28.0	6.0	4.1
9°	1063.1	1033.7	1014.4	980.0	944.2	893.7	779.4	401.2	28.5	6.4	4.6
7°	1067.7	1039.7	1013.5	957.1	924.0	886.4	772.5	451.2	27.5	6.4	4.6
5°	1074.6	1044.3	1011.2	939.2	907.5	878.1	766.6	501.7	26.2	6.4	4.6
3°	1073.2	1035.1	1002.5	922.2	893.7	871.7	762.0	545.8	25.7	6.4	4.6
1°	1062.6	1019.0	982.8	909.3	879.5	862.0	759.7	583.0	25.7	6.9	4.6
0°	1056.7	1009.9	970.8	903.4	872.1	857.5	758.8	599.5	25.2	6.9	4.6
-1°	1046.6	997.9	963.5	897.9	865.7	851.0	756.9	611.9	25.2	6.9	4.6
-3°	1021.8	978.6	950.6	885.9	854.7	840.5	755.6	628.4	25.7	6.9	4.6
-5°	1003.4	970.4	940.1	875.4	846.4	829.5	751.9	636.7	26.2	6.9	4.6
-7°	995.6	962.1	928.1	861.6	833.6	815.7	747.7	638.0	26.2	6.9	4.6
-9°	984.1	947.9	909.8	844.1	817.5	798.7	743.6	633.9	26.6	7.3	4.6
-11°	957.5	919.0	881.3	825.8	799.6	777.6	733.5	626.6	26.6	7.3	4.6
-13°	922.2	885.0	850.6	805.1	781.7	759.7	723.9	611.9	26.6	7.3	4.6
-15°	885.9	850.6	821.7	787.2	766.6	744.1	715.2	589.4	26.6	7.3	4.6
-17°	851.5	816.6	792.7	768.9	751.0	728.9	705.1	560.0	27.1	7.3	4.6
-19.5°	805.6	778.0	761.1	746.8	730.8	710.6	694.5	514.1	26.6	6.9	4.6
-22.5°	788.6	762.0	746.8	732.6	715.2	695.0	687.2	439.7	25.2	6.9	4.6
-25.5°	767.0	739.5	722.5	710.6	700.9	681.7	685.8	351.2	24.3	6.9	4.6
-29°	727.1	704.6	687.6	674.8	666.5	662.8	689.0	235.9	25.2	6.4	4.6
-33°	685.3	664.7	643.1	623.4	610.5	618.8	680.3	92.7	26.2	6.4	4.6
-37.5°	655.9	636.2	611.9	582.0	554.0	552.7	622.0	47.7	27.1	6.4	4.6
-42.5°	639.0	624.3	599.9	574.7	536.6	459.0	434.7	59.2	26.2	6.0	4.6
-47.5°	452.1	439.7	427.8	408.1	377.3	295.2	197.8	39.5	20.7	5.0	4.1
-55°	93.2	92.3	95.5	90.9	54.6	29.4	40.4	17.4	6.4	5.0	4.1
-65°	81.2	89.5	67.5	36.7	12.4	15.6	22.5	13.3	5.0	4.6	4.1
-75°	11.0	10.6	7.8	7.8	8.7	8.3	6.0	4.1	4.1	4.1	4.1
-85°	5.0	4.6	4.6	4.1	4.1	3.7	3.7	3.2	3.7	4.1	4.1
-90°	0.0	0.0	0.0	0.0	0.0	0.0	0.0	0.0	0.0	0.0	0.0



REPORT NUMBER: P571703
CATALOG NUMBER: UFLD-S-CA1-30-727-U-66-TS2LW_NFFLD

CANDELA DISTRIBUTION (continued):

	90°
90°	0.0
85°	0.0
75°	0.0
65°	0.0
55°	0.0
47.5°	0.0
42.5°	0.0
37.5°	0.0
33°	0.0
29°	0.0
25.5°	0.0
22.5°	0.0
19.5°	0.0
17°	0.0
15°	0.0
13°	0.0
11°	0.0
9°	0.0
7°	0.0
5°	0.0
3°	0.0
1°	0.0
0°	0.0
-1°	0.0
-3°	0.0
-5°	0.0
-7°	0.0
-9°	0.0
-11°	0.0
-13°	0.0
-15°	0.0
-17°	0.0
-19.5°	0.0
-22.5°	0.0
-25.5°	0.0
-29°	0.0
-33°	0.0
-37.5°	0.0
-42.5°	0.0
-47.5°	0.0
-55°	0.0
-65°	0.0
-75°	0.0
-85°	0.0
-90°	0.0

(END OF REPORT)